

# PROJECT QUESTIONNAIRE

Romold GmbH  
 Sägewerkstraße 5  
 D-83416 Surheim  
 Tel: +49-8654-4768-0  
 Fax: +49-8654-4768-47  
 E-mail: verkauf@romold.de



## ROMOLD PP / PE- road gully without sand trap

order       request for information

project: \_\_\_\_\_

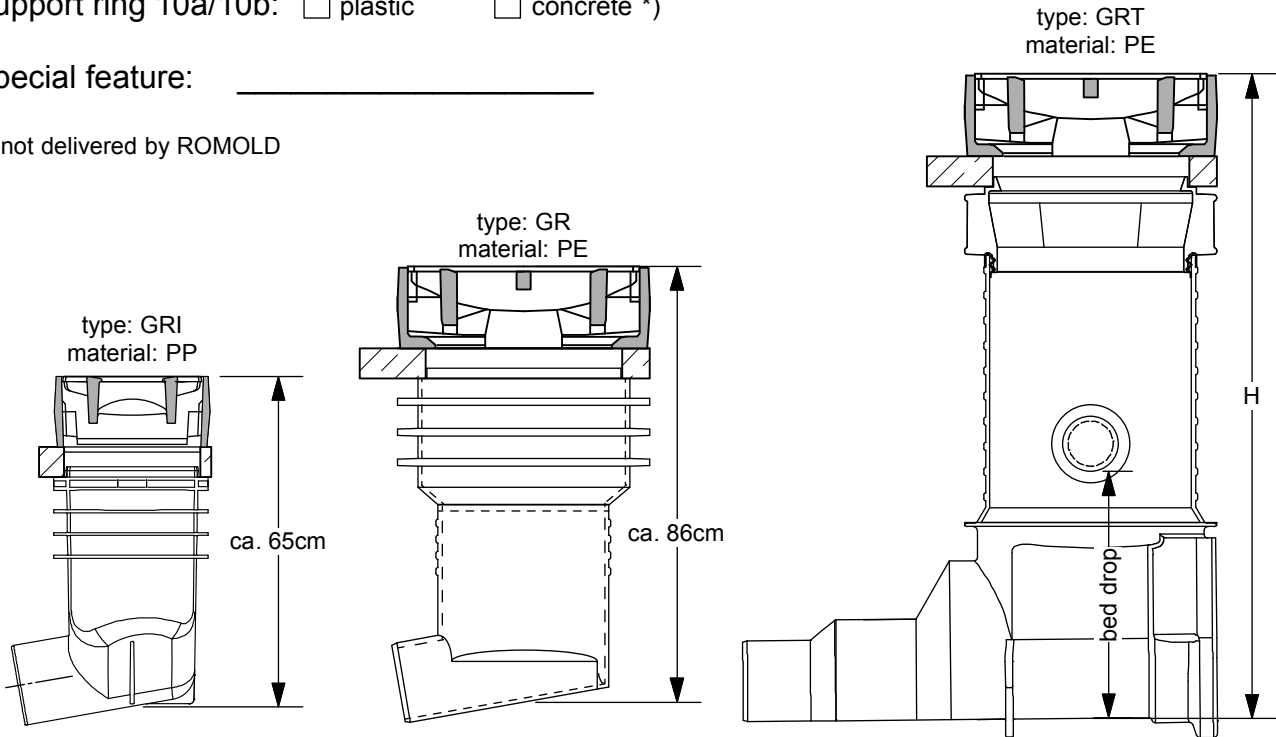
gully no.: \_\_\_\_\_

grating: \*)       500 x 300mm     500 x 500mm  
please indicate

support ring 10a/10b:     plastic       concrete \*)

special feature: \_\_\_\_\_

\*) not delivered by ROMOLD



type	height	outlet	drainage DN (optional)	bed drop [cm]	number	notes
GRI	ca. 65cm	DN/OD 160	---	---		for shallow sand traps
GR	o ca. 65cm o ca. 86cm (please indicate)	DN/OD 160				for shallow sand traps for tall sand traps for welded pipelines
GRT	H = _____ cm	o DN/OD 160 o DN/OD 200 (please indicate)				for shallow sand traps for tall sand traps for welded pipelines

company: \_\_\_\_\_

contact person: \_\_\_\_\_

tel. / fax: \_\_\_\_\_

E-mail: \_\_\_\_\_

stamp

\_\_\_\_\_  
 date, signature